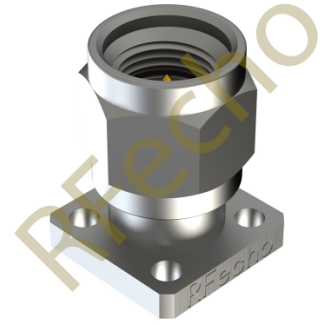


# 2.92mm (K) Plug (Male) 4 Hole .375 Square D361-P12-F02-A



This is model D361-P12-F02-A, 2.92mm connectors are durable, operational temperature rating of -55°C to +135°C. 2.92mm connectors provide mode-free operation through 40 GHz, offering well-matched impedance, excellent repeatability, lowest VSWR, RF leakage ( $\leq -100$  dB).

### Features

low VSWR  
free through 40 GHz and less than -100 dB RF leakage.

### Available Accessories

50 ohm Seal

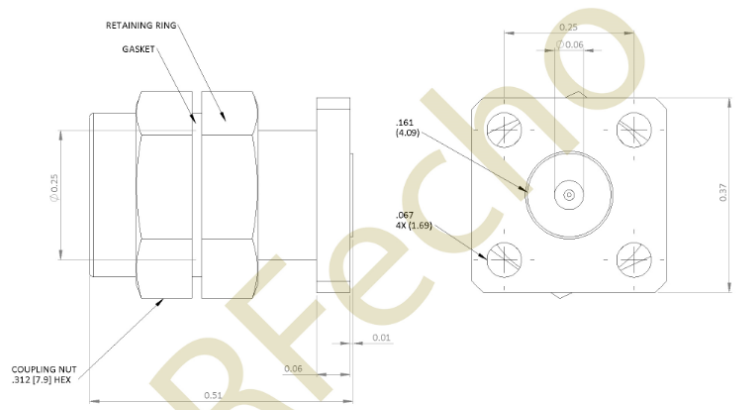
### Applications

Telecom Communication  
Sub-assemblies  
Radio equipment and instruments  
Wireless Communication  
Test Labs  
Instrumentations

### Electrical Specifications

Frequency	(18-40) GHz
Mounting	4-Hole Flange
Flange Size	.375 SQ
Hermetic Seal Available	YES
Accepts Pin Diameter	.009
Gender	Male
Flange Hole Diameter	0.067
Tools, C-bore	T-1491-1
Tools, Solder	T-1412-15

### PRODUCT DIMENSIONS



RFecho	2.92mm Connector	D361-P12-F02-A
Pin Size (.009)	Max. Pin Depth (.065)	Ø 0 (.0431)

### Isolation & VSWR

