

Product Datasheet

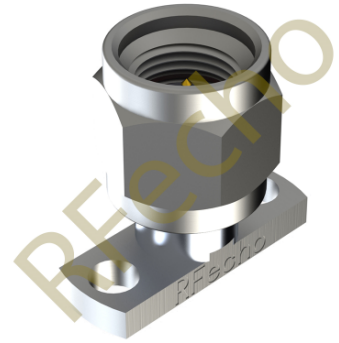
Product ID: D361-P12-F05



RFecho
A Gateway to RF World

2.92mm (K) Plug (Male) 2 Hole .550 Long D361-P12-F05

This is model D361-P12-F05, 2.92mm connectors are durable, operational temperature rating of -55°C to +135°C. 2.92mm connectors provide mode-free operation through 40 GHz, offering well-matched impedance, excellent repeatability, lowest VSWR, RF leakage (≤ -100 dB).



Features

low VSWR
free through 40 GHz and less than -100 dB RF leakage.

Available Accessories

50 ohm Seal

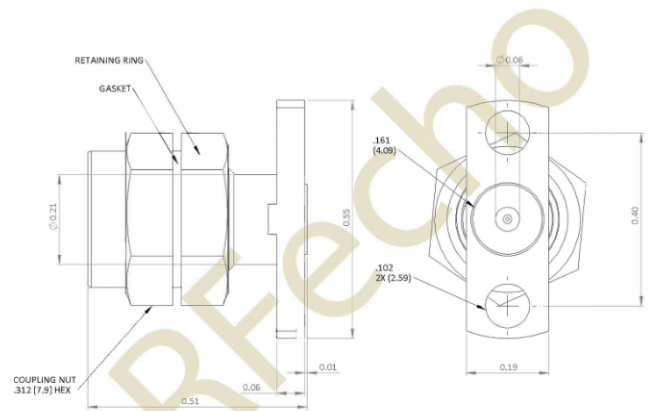
Applications

Telecom Communication
Sub-assemblies
Radio equipment and instruments
Wireless Communication
Test Labs
Instrumentations

Electrical Specifications

Frequency	(18-40) GHz
Mounting	2-Hole Flange
Flange Size	.550 L
Hermetic Seal Available	YES
Accepts Pin Diameter	.012
Gender	Male
Flange Hole Diameter	0.102
Tools, C-bore	T-291-5
Tools, Solder	T-212-13

PRODUCT DIMENSIONS



RFecho	2.92mm Connector	D361-P12-F05
Pin Size (.012)	Max. Pin Depth (.060)	ϕ O (.0483)

Isolation & VSWR

