

Product Datasheet

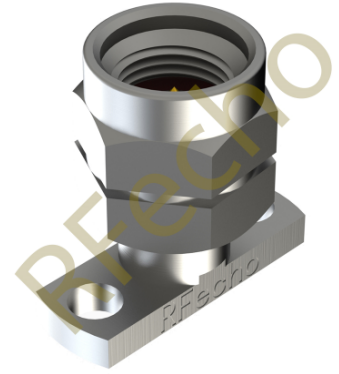
Product ID: D371-P09-F05



RFecho
A Gateway to RF World

2.40mm Plug (Male) 2 Hole .550 Long D371-P09-F05

This is model D371-P09-F05, 2.40mm connectors are durable, Operational temperature rating of -55°C to +135°C. 2.40mm having low insertion loss, connectors provide mode-free operation through 50 GHz, excellent repeatability, RF leakage (≤ -100 dB).



Features

low VSWR

Free Through 50 GHz

Available Accesories

50 ohm Seal

Applications

Telecom Communication

Sub-assemblies

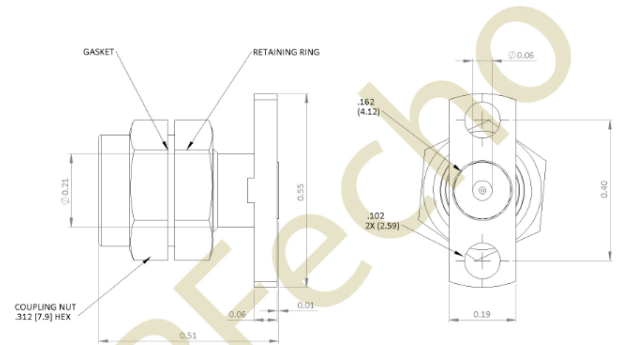
Radio equipment and instruments

Wireless Communication

Test Labs

Instrumentations

PRODUCT DIMENSIONS



RFecho	2.40mm Connector	D371-P09-F05
Pin Size (.009)	Max. Pin Depth (.065)	$\varnothing 0$ (.042)

Electrical Specifications

Frequency (18-50) GHz

Flange Size .500 L

Mounting 2-Hole Flange

Hermetic Seal Available YES

Accepts Pin Diameter .009

Gender Male

Flange Hole Diameter 0.102

Tools, C-bore T-1491-1

Tools, Solder T-1412-13

Isolation & VSWR

