

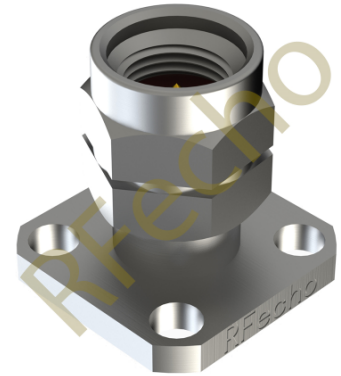
Product Datasheet

Product ID: D371-P09-F01



RFecho
A Gateway to RF World

2.40mm Plug (Male) 4 Hole .500 Square D371-P09-F01



This is model D371-P09-F01, 2.40mm connectors are durable, Operational temperature rating of -55°C to +135°C. 2.40mm having low insertion loss, connectors provide mode-free operation through 50 GHz, excellent repeatability, RF leakage (≤ -100 dB).

Features

low VSWR
Free Through 50 GHz

Available Accessories

50 ohm Seal

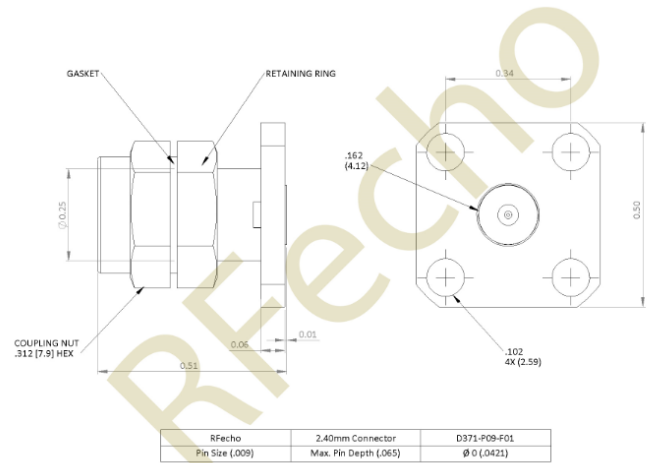
Applications

Telecom Communication
Sub-assemblies
Radio equipment and instruments
Wireless Communication
Test Labs
Instrumentations

Electrical Specifications

Frequency	(18-50) GHz
Flange Size	.500 SQ
Mounting	4-Hole Flange
Hermetic Seal Available	YES
Accepts Pin Diameter	.009
Gender	Male
Flange Hole Diameter	0.102
Tools, C-bore	T-1491-1
Tools, Solder	T-1412-11

PRODUCT DIMENSIONS



Isolation & VSWR

