

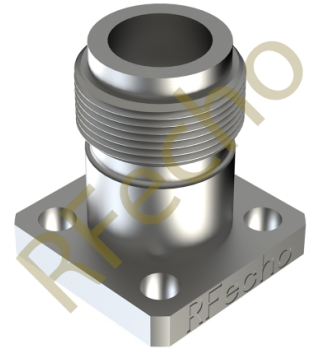
Product Datasheet

Product ID: D370-P12-F02



RFecho
A Gateway to RF World

2.40mm Jack (Female) 4 Hole .375 Square D370-P12-F02



This is model D370-P12-F02, 2.40mm connectors are durable, Operational temperature rating of -55°C to +135°C. 2.40mm having low insertion loss, connectors provide mode-free operation through 50 GHz, excellent repeatability, RF leakage (≤ -100 dB).

Features

low VSWR
Free Through 50 GHz

Available Accesories

50 ohm Seal

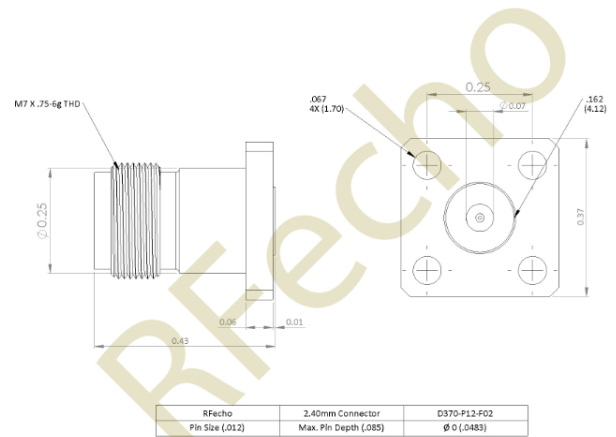
Applications

Telecom Communication
Sub-assemblies
Radio equipment and instruments
Wireless Communication
Test Labs
Instrumentations

Electrical Specifications

Frequency	(18-50) GHz
Flange Size	.375 SQ
Mounting	4-Hole Flange
Hermetic Seal Available	YES
Accepts Pin Diameter	.012
Gender	Female
Flange Hole Diameter	0.067
Tools, C-bore	T-291-5
Tools, Solder	T-212-15

PRODUCT DIMENSIONS



Isolation & VSWR

