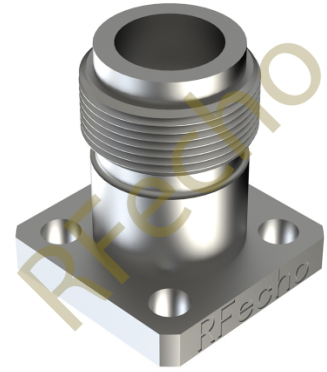


# 2.40mm Jack (Female) 4 Hole .375 Square D370-P09-F02



This is model D370-P09-F02, 2.40mm connectors are durable, Operational temperature rating of -55°C to +135°C. 2.40mm having low insertion loss, connectors provide mode-free operation through 50 GHz, excellent repeatability, RF leakage ( $\leq -100$  dB)

**Features**

- low VSWR
- Free Through 50 GHz

**Available Accesories**

- 50 ohm Seal

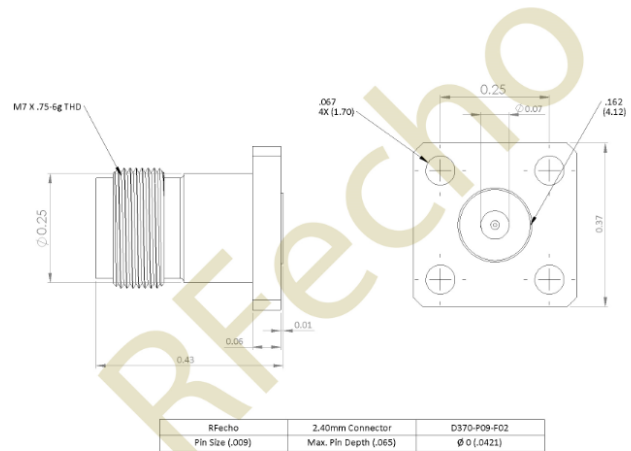
**Applications**

- Telecom Communication
- Sub-assemblies
- Radio equipment and instruments
- Wireless Communication
- Test Labs
- Instrumentations

**Electrical Specifications**

Frequency	(18-50) GHz
Flange Size	.375 SQ
Mounting	4-Hole Flange
Hermetic Seal Available	.YES
Accepts Pin Diameter	.009
Gender	Female
Flange Hole Diameter	0.067
Tools, C-bore	T-1491-1
Tools, Solder	T-1412-15

**PRODUCT DIMENSIONS**



**Isolation & VSWR**

