

# Curve Horn Antenna

## OHC-28-15

This OHC28-15 standard gain horn antenna has a GAIN (14-16)dBi across the band and a square cover flange. It has a frequency of (26.5-40.0)GHz . Alternative connectors , Including 2.92mm type, waveguide flange are available on request.

Standard gain horn antenna OHC28-15 is known as a waveguide horn covers WG22, WR28,R320 bands. It is manufactured using the precision CNC integrated sections providing accurate, consistent and reliable performance, which ensured that the deformation rate is less than 0.01 under limiting conditions.

The series antennas cross-polarization is less than -40dB. This series antennas are suitable for standard field strength measurement and standard field strength generator. Antenna Gain Measurements.

HPBW of OHC28-15 has a E-Plane & H-Plane beam width from 23 degree to 34 degree. Side lobes in the H plane are all more than 20dB down. First side lobes in the E plane are 13 dB down, second side lobes are 18dB down and all other E plane lobes are more than 20dB down.



### Features

- Curve Mechanics Structure With Higher Stability
- The Uncertainty Within 0.03
- The Cross-Polarization Isolation Is less Than -40dB
- Attaching The Date Of Antennas' Phase Center And Efficiency
- Uniform Gain
- Lower VSWR
- Antennas cover from 26.5GHz to 40GHz

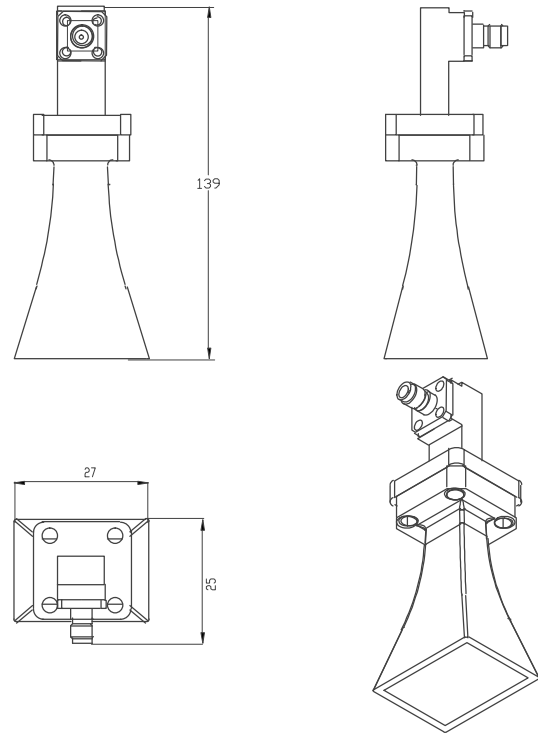
### Applications

- Antenna Ranges
- Antenna Gain Measurements System Setups
- Array Elements

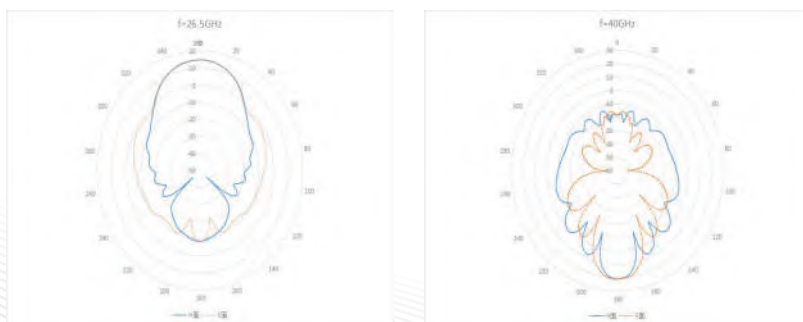
### Typical Specifications

|                      |             |
|----------------------|-------------|
| Frequency Range(GHz) | 26.50-40.00 |
| Gain(dB)             | 15 dB       |
| Band                 | Ka          |
| Waveguide            | WR28        |
| Connector            | 2.92        |
| Weight(Kg)           | 0.05        |
| VSWR                 | 1.15        |

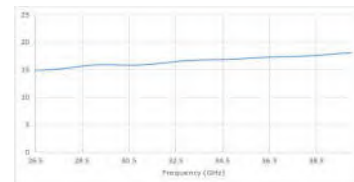
### PRODUCT DIMENSIONS



### PATTERN



### GAIN



### VSWR

